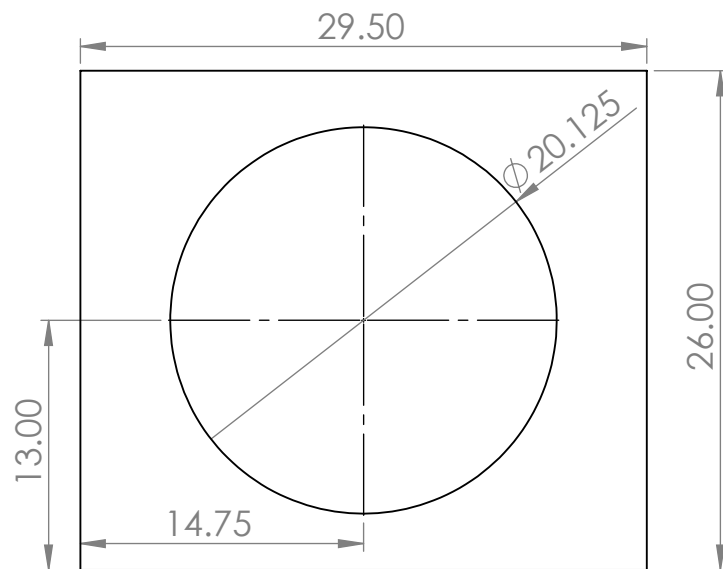


Compact - 18" Industrial Fan Air Filter
by The 3D Handyman

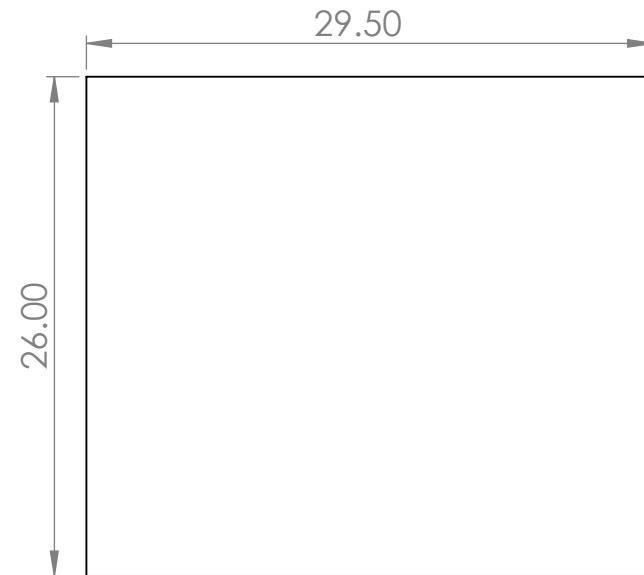
Uses (4) 16x25x1in Air Filters - <https://amzn.to/3w9r98R>

(1) 18" Industrial Fan - <https://amzn.to/3kS9YmS>

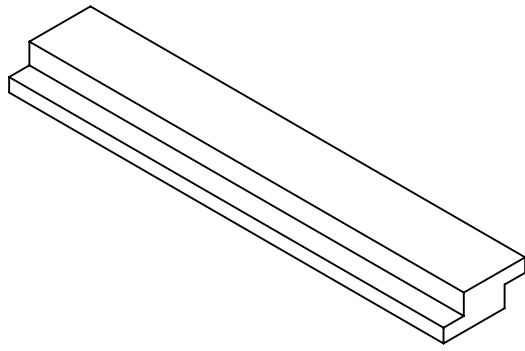


Top (1/2in plywood)

*Purchase Fan and double check diameter BEFORE cutting circle!



Bottom (1/4in or 1/2in plywood)



(4) **Vertical A** (cut from 2in x 4in stud)

