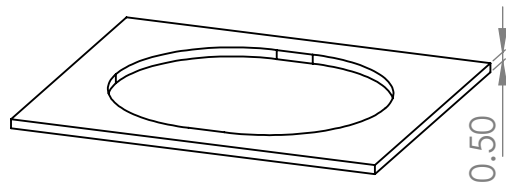
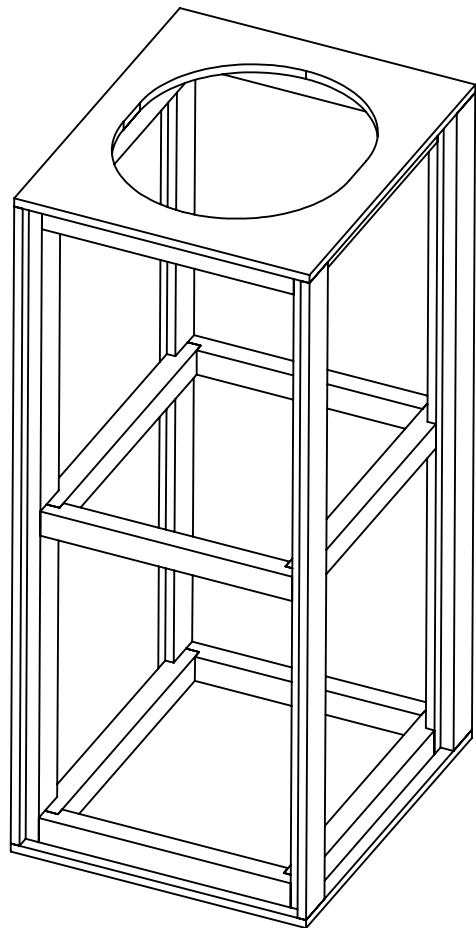
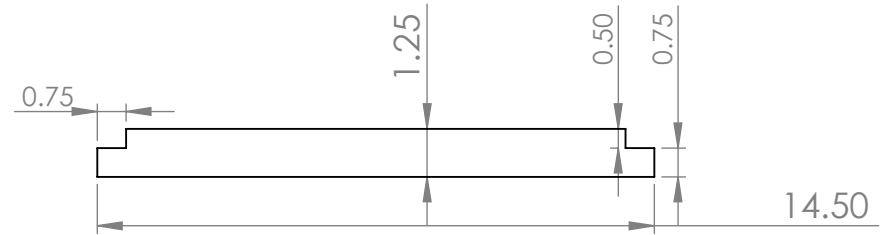
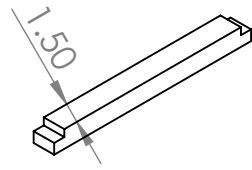


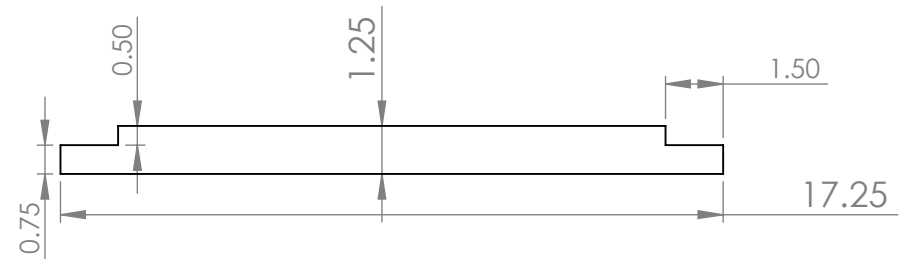
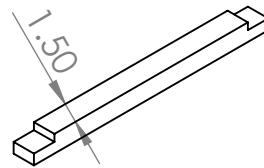
The 3D Handyman - Shop Air Filter



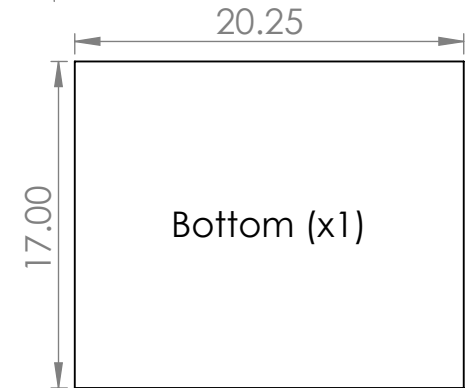
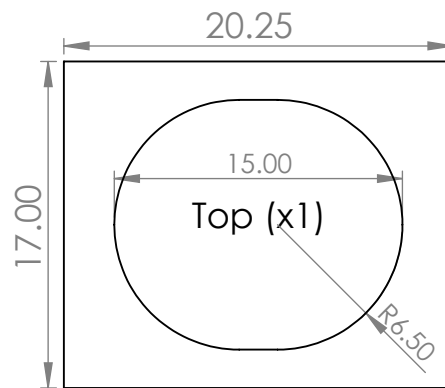
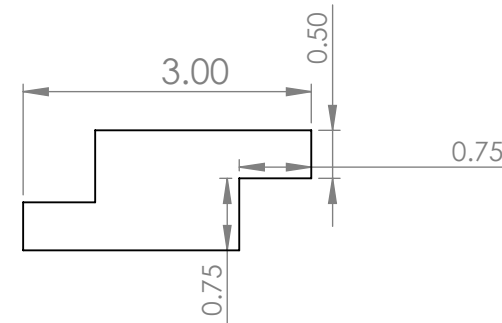
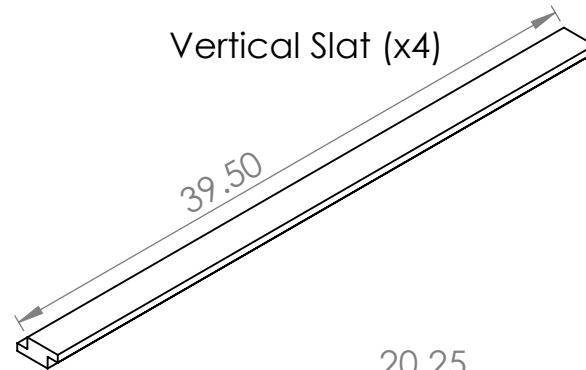
Horizontal Slat A (x6)



Horizontal Slat B (x6)



Vertical Slat (x4)



This filter is designed for use with 16x20x1 HVAC Air Filters. The hole in the top is based on FAN selection. If you choose to use a different size filter or fan, the dimensions will change. Watch the video and check the description for more info on this build. <https://youtu.be/fixd7LqnWow>